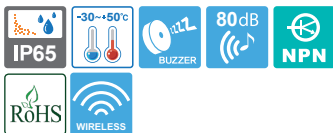


QMCL-WIZ series

Wireless Multiple Color LED Steady Signal Lights



QMCL125-WIZ



Common Specifications (QMCL125-WIZ)

Can remotely monitor and control the status of light units using a PC or smartphone

- Allows you to build an advanced production network system with a low cost
- Uses a Mesh Topology that operates in 2.4 GHz Short-Range wireless technology which ensures the communication reliability in harsh environments
- ※ Multi-hop function of the signaling device enables a stable long-distance communication (with up to 100M between devices)
- ※ Cost-effective by requiring no additional cable when change the layout of production lines
- Wireless communication standard : ZigBee(IEEE802.15.4)
- Can generate 7 color light signals in one light unit
- Milky translucent color when off, the soft LED illuminates designated colors when on
- Materials : Lens-AS, Body-ABS
- Ambient operating temperature : -30°C to +50°C
- Protection rating : IP65
- Certificates : CE Compliant
- Compliant with RoHS directive

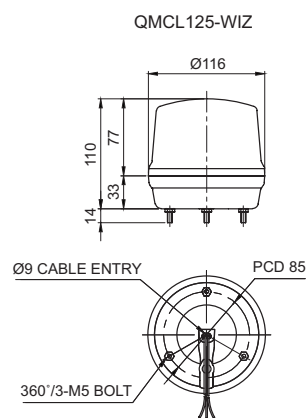
QMCL125-WIZ Ø125mm Wireless Multiple Color LED Steady Signal Lights

	Voltage	AC/DC12V	AC/DC24V
QMCL125-WIZ	Signal Line Power Consumption	0.320A	0.170A
	Buzzer Line Power Consumption	0.020A	0.020A

Model number	Voltage	Current	Certificate	Weight	Color
QMCL125-WIZ	DC12V	0.320A	-	0.34kg	7 Color
	DC24V	0.170A			

Technical Diagram

(Units : mm)



Warning/Signal/Stackable



Signal & Electric Horn/Speakers



Vessels and Heavy-Duty Equipment



Explosion Proof



Warning Light Bar



Aviation Obstruction Lights



Signal Tower Lights



USB/ETN Signal Tower Lights



Wireless Network System



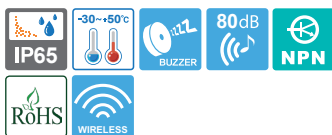
Electric Horn/Speakers



Industrial LED Lights



QMCL-WIZ series

Wireless Multiple Color LED Steady Signal Lights



QMCL125-WIZ

· PC Connection Components

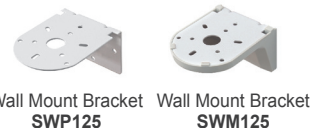
 USB Dongle	Suitable for single or small-scaled network Can connect up to 32 devices
 Gateway	Suitable for large-scaled network One gateway unit is a single group, can connect up to 24 groups (each group can connect to 32 devices) * Network router is required for group communication.

Wiring Instructions

- External signal line standard : Signal line 4P(R,G,B,K) threading, signal line standard UL1007 AWG22(0.3sq) 400mm
- Please refer to Wiring Instructions diagram to properly configure color options
- ※ Please refer to page 399 for detailed wiring information.

Customization

- Wall mounting bracket options : Bracket structure allows for threading through the bracket hole or into the wall mount



Ordering Specification

QMCL125-WIZ	-	BZ	-	24
[Model number]		[Buzzer option]		[Voltage]
• QMCL125-WIZ		• None - No buzzer • BZ- Built-in buzzer		• 12-DC12V • 24-DC24V